



Product Technical Data Sheet
Model RLA2 (LS8800)

Description

The LS8800 is a full-range bi-amped true line source array module. While compact in size it meets high SPL line array performance requirements for a wide variety of venues.

The LS8800 high frequency section features a high performance PRD1000 planar ribbon transducer designed and manufactured by SLS Loudspeakers. The unique design and properties of the planar ribbon driver allows precise acoustical coupling of the array and hence, full utilization of line source (cylindrical waves) benefits.

The low frequency section uses two high-powered 8" drivers utilizing a demodulation ring magnet system providing a third less harmonic distortion and reducing inductance modulation by 50 percent. This provides an open and clear sound despite loud listening levels. Additionally, the low frequency drivers feature a die-cast basket with a patented Intercooler system.

Key Features

- Direct radiating planar PRD1000 ribbon high frequency line source module delivers unsurpassed sound quality
- True line source behavior due to precise acoustical coupling of individual PRD1000 high frequency transducers
- Open and clear sound at high SPL due to advanced transducer technology in all bandwidth sections
- 110 degree wide horizontal coverage
- Even and easily predictable coverage using our free LASS prediction software.
- All array rigging is included
- Splay options from 1 to 10 degrees between boxes
- ¾" 13 ply Baltic Birch cabinet construction

Applications

- Developed for a wide range of professional applications where the highest quality and intelligibility of sound is required
- For permanent sound reinforcement installations in churches, auditoriums, arenas performing arts centers, etc.
- Professional portable PA system for a wide variety of applications

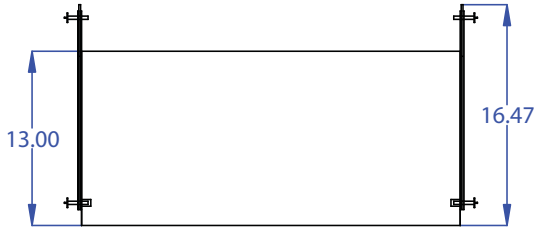


Product Specifications	
Operating Range	80 – 20,000Hz
Sensitivity ¹ (1W/1m) – Low Freq.	98dB
	High Freq. 103dB
Horizontal Coverage Angle ² -6dB	110 Degrees
Vertical Coverage Angle	Defined by height and configuration of the array
Power Handling ³ – Low Freq.	500 Watts RMS
	High Freq. 70 Watts RMS
Max SPL (calculated) 1 Meter – Low Freq.	125dB Cont. / 131dB peak
	High Freq. 121dB Cont. / 127dB Peak ⁴
Recommended Amp Power for Max Output	Low Freq. 1000 Watts
	High Freq. 140 Watts
	Nominal Impedance – Low Freq. 8 Ohms
High Freq. 8 Ohms	
Crossover Frequency	DSP Settings provided
Transducers – Low Freq.	2x 8" Woofer
	High Freq. PRD1000 Ribbon
Input	NL4 x2 Pair 1 = LF, Pair 2 = HF
Dimensions	9.625" (24.5cm) H (front)
	7.64" (19.4cm) H (back)
	28.25" (71.8cm) W
	13" (33cm) D
Enclosure	13ply Baltic Birch 5deg trap
Weight	60lbs (27.2kg)
Rigging	All array rigging included
Optional Accessories	RLA/2-BBS Suspension frame
	RC-LS8800 Road case (holds 4 LS8800)
Finish Options	Rugged weather resistant latex paint - in black, white, or paintable natural birch

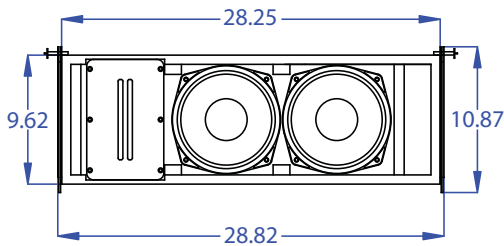
1. Full bandwidth pink noise is applied and amplified to a level and measured at the loudspeaker terminals - corresponding to 1 Watt as referenced to the loudspeakers nominal impedance. SPL is measured in an anechoic environment in the loudspeakers far field. Data is extrapolated to 1 Meters distance from the loudspeaker.
2. Averaged from 500Hz to 8kHz
3. Conforms to AES2-1984 (r1997) method
4. SLS Ribbon technology has the ability to produce double the peak capability (12dB) above the RMS value to that of conventional transducers. With an amplifier of 1000W into 8 ohms, 12dB peaks with durations of 200msec. are possible. This means better transient response without power compression.



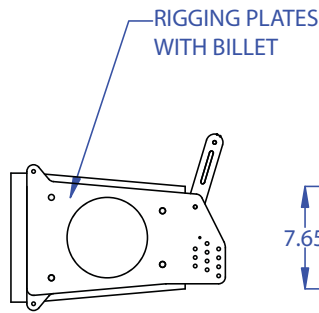
Product Drawings



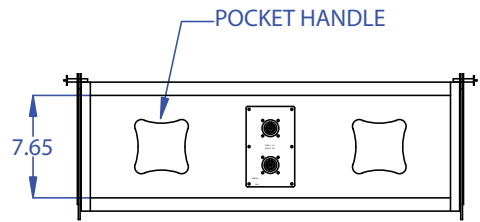
TOP



FRONT



SIDE



BACK

Product Horizontal Polars

